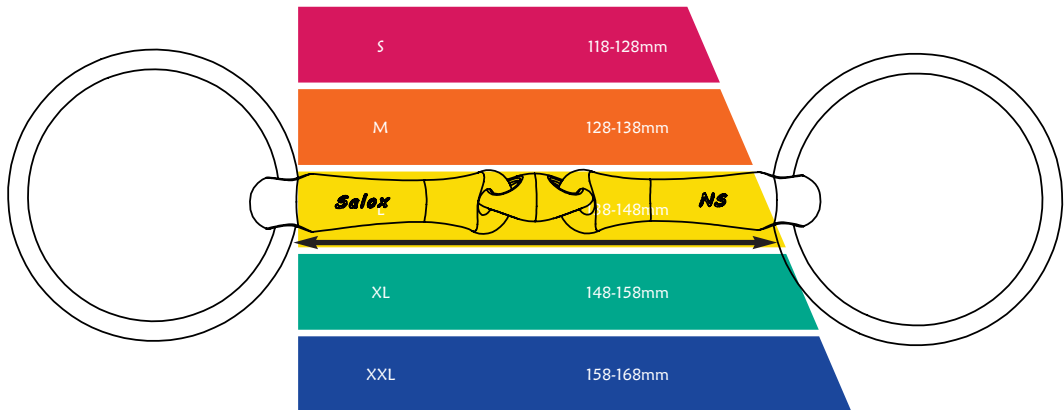


Fitting made easier

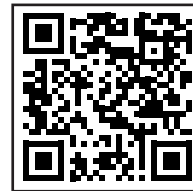
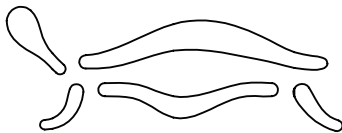
Turtle Tactio™ and the Flex™ design concept together make identifying the optimum length of your bit easier than ever. The improvement in fit to mouth anatomy means that selecting the ideal Turtle Tactio™ with Flex™ bit for your horse is readily achieved.

Simply use the Neue Schule colour coded measurement chart for guidance. (Downloadable from the Neue Schule website).

Products are available in sizes between 108 and 168 mm (that's just less than 4¼ inches to just over 6½ inches) – so there's an ideal size for everyone!



Simply lay your existing bit on the chart and the size of the Turtle Tactio™ bit you need is indicated. The colour band that best envelopes the mouthpiece of your bit from inside cheek to inside cheek indicates your ideal size.



To find out more about this product scan the QR Code with your smartphone

www.nsbits.com

Join the Bitting Revolution™



Turtle Tactio™

with Flex^T™



Tactio / TAHK-tsee-aw / (Latin – touch, feel, feeling, sense of touch).

Neue
Schule

Join the Bitting Revolution™

A new addition to the Turtle family

The Neue Schule Turtle Tactio™ has been specifically engineered to accommodate the larger or sensitive tongue.

The very unique design of the Turtle Tactio™ delivers through to riders a never before available approach that achieves supreme comfort for the horse and encourages acceptance of the bit and rider instruction.

The flattened underside of the cannons with their anatomy-inspired recesses are held parallel to the tongue whatever riding activity is being undertaken.

The innovative mouthpiece is immensely rewarding to horses and encourages them to want to work with the rider.

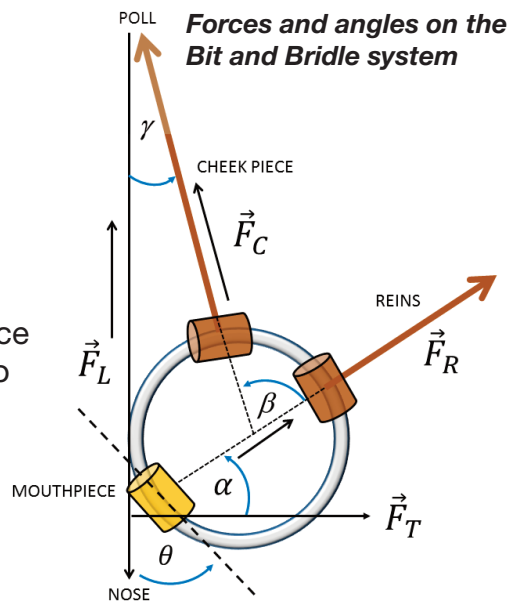
Flex^T™

The direction of rein tension in normal riding conditions sets the orientation of the mouthpiece.

Scientific investigation and analysis performed by Neue Schule has underpinned our design process.

This work has resulted in a mouthpiece profile that ensures the bit comes into the desired alignment when the reins are tensioned.

This design concept is “Flex^T”.



Anatomy Inspired

The Neue Schule Turtle Tactio™ has been specifically engineered to accommodate the larger or sensitive tongue.

The bold *TongueSMART™* mouthpiece design focuses rein pressure to the central part of the tongue whilst diverting pressure away from the sensitive regions near the bars.

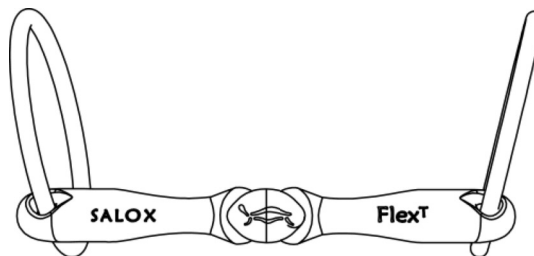
The unique central 'Turtle' link brings the proximal ends of the cannons to their closest separation possible and also is gently curved to protect the highly sensitive palatine arch.

The Flex™ concept of widening the surfaces that lie parallel to the plane of the tongue reduces the pressure further.

With any kind of noseband the closed mouth easily accommodates the mouthpiece, significantly, the slenderness of the design often negates the need to shut the mouth.

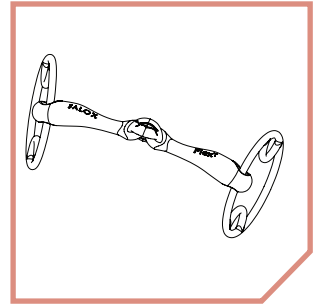
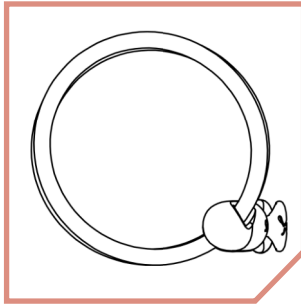
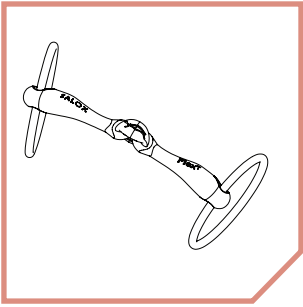
The flattened underside of the cannons with their anatomy-inspired recesses are held parallel to the tongue whatever riding activity is being undertaken.

The effective thickness of the mouthpiece in the region of the interdental space is the smallest on the market, this results in the innovative design being immensely rewarding to horses and encourages them to want to work with the rider.



Neue Schule

Join the Bitting Revolution™



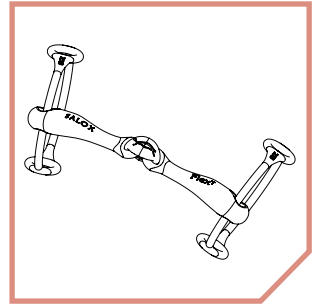
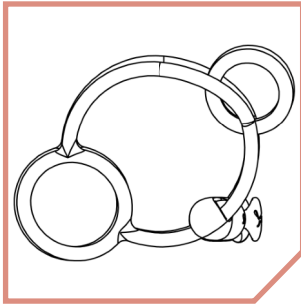
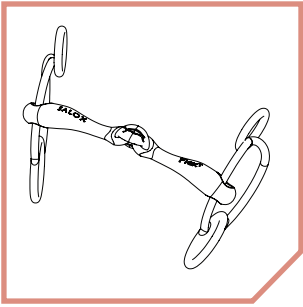
Turtle Top™ with Flex™ Loose Ring

This bold *TongueSMART™* design focuses rein pressure to the central part of the tongue whilst diverting pressure away from the sensitive regions near the bars.

The unique central 'Turtle' link brings the proximal ends of the cannons to their closest separation possible. The Flex™ concept of widening the surfaces that lie parallel to the plane of the tongue reduces the pressure further. With any kind of noseband the closed mouth easily accommodates the mouthpiece whose effective thickness in the region of the interdental space is the smallest in the Neue Schule range. To reward horses that want to work with you.

Turtle Top™ with Flex™ Beval

The Beval ring gives rein and cheek-piece attachment options in a neat package but whatever option you choose the mouthpiece remains in constant relative alignment to the tongue. The flattened underside of the cannons with their anatomy-inspired recesses are held parallel to the tongue whatever riding activity you enjoy and for whatever rein tension you employ.



Turtle Top™ with Flex™ Universal

The Universal cheek provides a number of rein options including the option of a curb strap. But whatever option you choose, the flattened underside of the cannons with their anatomy-inspired recesses are held parallel to the tongue whatever riding activity you enjoy.

Turtle Top™ with Flex™ Balding

The Balding cheek offers consistent poll pressure and a cushioned headpiece is advised. This design is sourced when extra control is necessary. It is also useful for horses that are heavy, lean, or snatch.



**Neue
NSD chule**

Join the Bitting Revolution™